



WATER / AIR HEAVY BAG EX. LONG INSTRUCTIONS MANUAL

X2HBA501



READ ME FIRST !!!

PLEASE READ ALL THE INSTRUCTIONS
MANUAL BEFORE ASSEMBLY AND USE

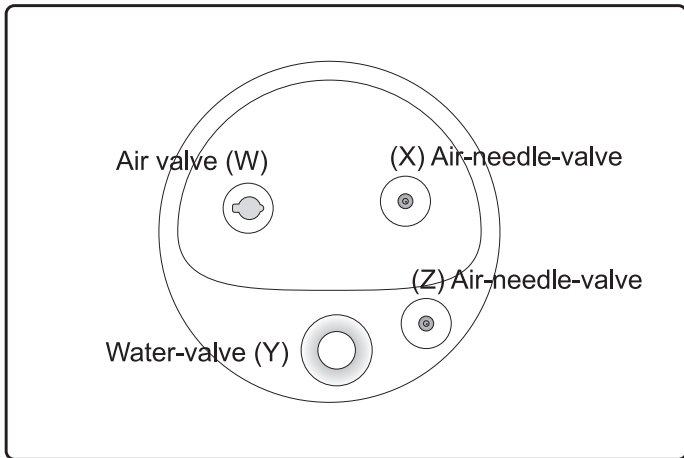
Components

- **Electric Pump.** (with three-size-nozzle. only the sharp-pointed nozzle will be used)
- **Hand Pump .** (air needle stored in handle)
- **Water Hose.** (with velcro)
- **Garden Hose Adapter**
- **Water/Air Bladder Inside A Punching Shell.**
- **Bag Top Cover.**

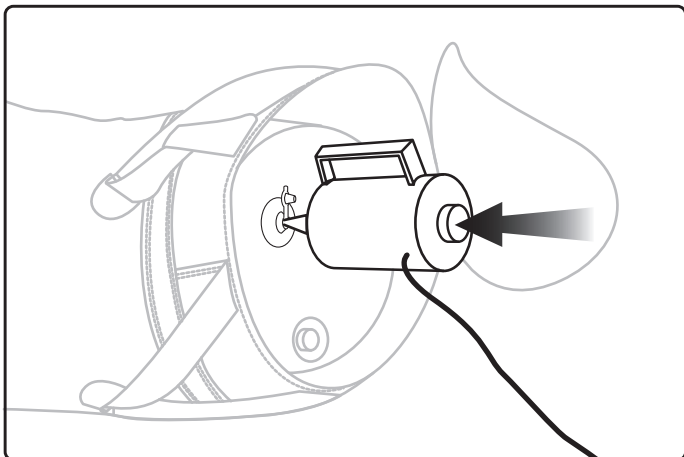


A. Inflate the inner bladder:

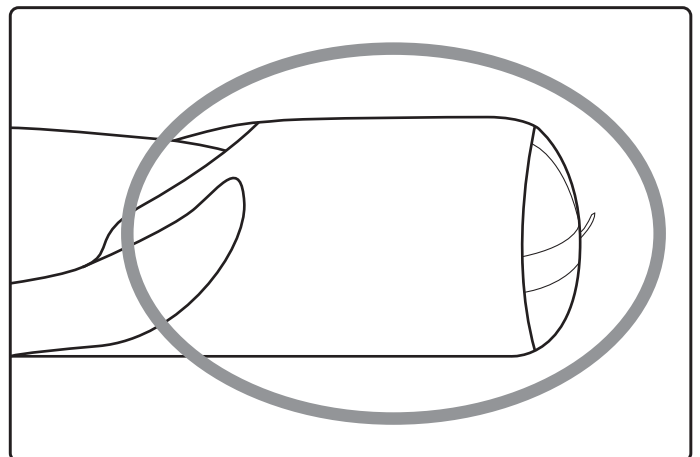
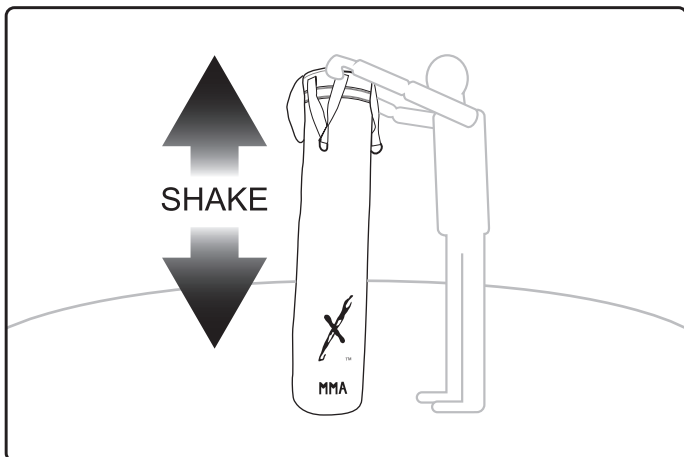
1. Unfold the bag, lay it flat on the floor, and open the valve of the air section (W)



2. Attach the sharp-pointed nozzle to the “INFLATE” port of the electric pump and insert tightly into the air valve of the air section (W) to inflate the bladder.

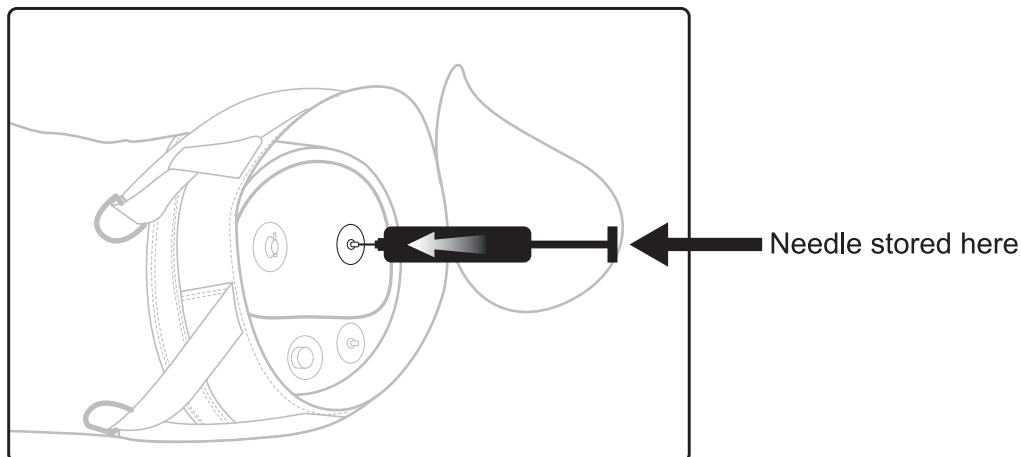


3. During the inflation process, slowly lift the whole bag up straight and slightly shake the shell to ensure that the bottom of the bladder fit the shell.



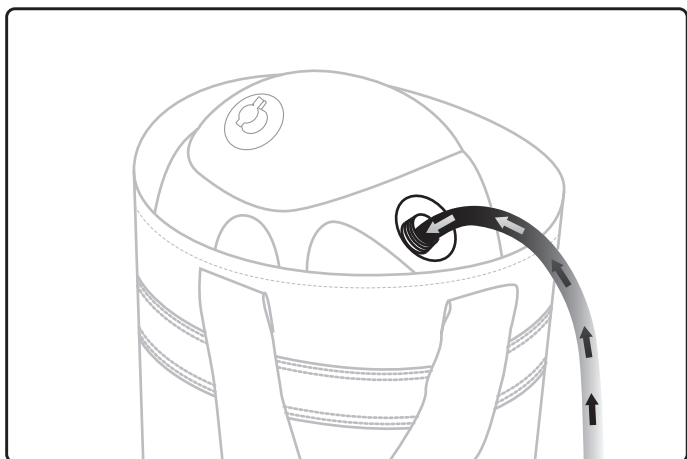
YOU MAY NEED ANOTHER PERSON FOR HELP. FIND A PLACE WITH EASY ACCESS TO A FAUCET, AND AWAY FROM OBJECTS SUSCEPTIBLE TO WATER DAMAGE

4. Make sure the bladder is inflated to FULL, before turning off the electric pump, removing the sharp-pointed nozzle and inserting the air-stop quickly back to valve (W).
5. Some of the air pressure may have got lost when you insert back the air-stop. Use the hand pump with air needle inserted to the air-needle-valve (X), add more air into the bladder and keep it in a FULL condition.

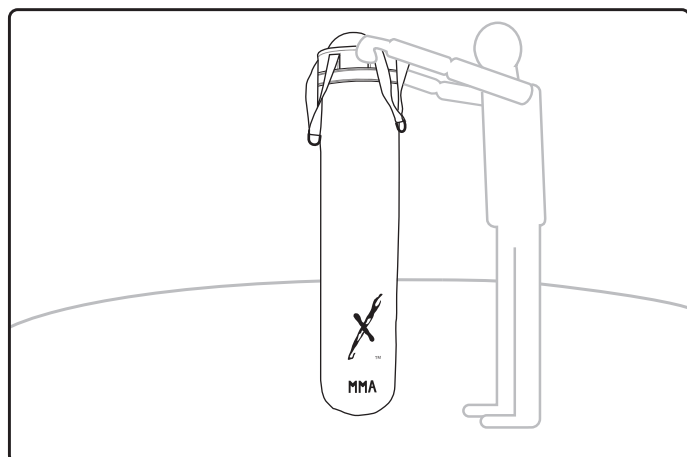


B.Fill water into the water section of inner bladder:

1. Keep the bag upright before the assembly is finished. Remove the water cap and rubber plug of the water-valve (Y). Plug the white rubber connector/hose to a faucet with the white rubber connector or the garden hose adapter and fill the water section with water.



2. After about 20 seconds, turn off the water and lift the shell to ensure the bladder slide into the bottom of the shell.



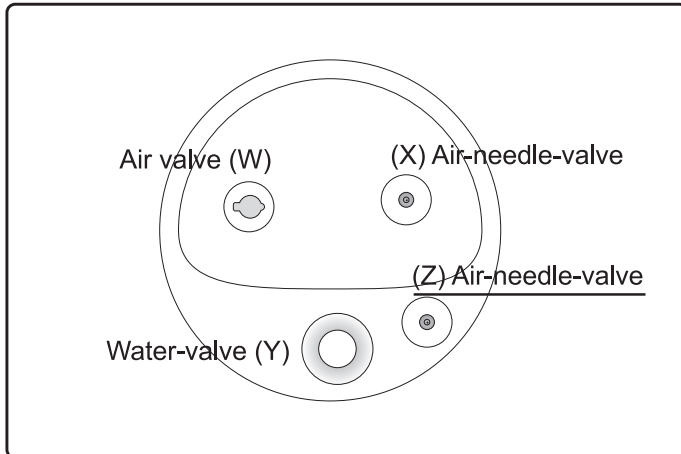
A S S E M B L Y I N S T R U C T I O N

YOU MAY NEED ANOTHER PERSON FOR HELP. FIND A PLACE WITH EASY ACCESS OF A FAUCET, AND AWAY FROM OBJECTS SUSCEPTIBLE TO WATER DAMAGE

B.Fill water into the water section of inner bladder:

3. Keep filling in water until the water section is almost full.
4. Turn off the water and remove the hose. Replace the rubber plug and the cap.

(Note: Please slow down the water when the water section is almost FULL in case of water spilling out)



C.Adjust weight with Water/Air ratio.

1. Weight of the Water/Air Heavy Bag is 70~140 lbs. and is adjustable. To increase the weight, release some air from the air-needle-valve (X) with the air needle, and keep filling water to the water section(Y) in accordance with B in Assembly Instructions as instruction B, repeat the process of releasing air and filling water until the bag reaches your favorable weight.

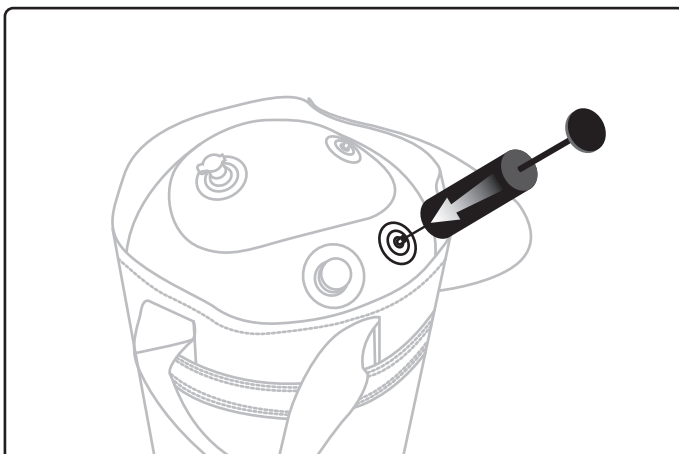
[A body weight scale (NOT included) is recommended to weigh the bag]

(Note: DO NOT release too much air from the air section at one time, as it will make the bag overweight.)

D. Adjust hardness of the bag.

1. Inflate the WATER SECTION with the hand pump and the air needle into air-needle-valve (Z) to adjust the bag to your preferred hardness. It is suggested that the bag buckles to some extent with each punch. We call this "Give Effect" and it is an effective deterrent to hand, wrist and elbow injuries.

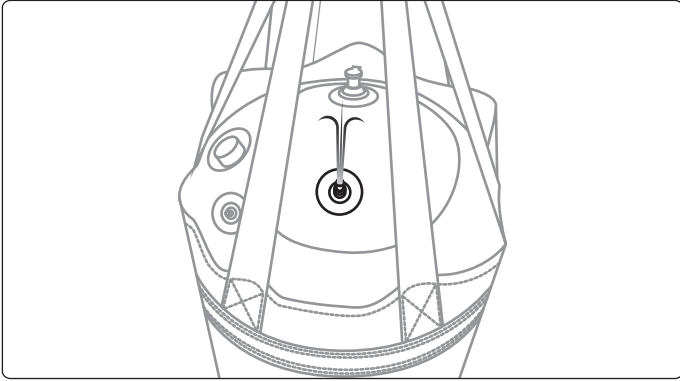
Zip up the bag-top-cover on top of the bag and hang the bag onto a properly supported hook.



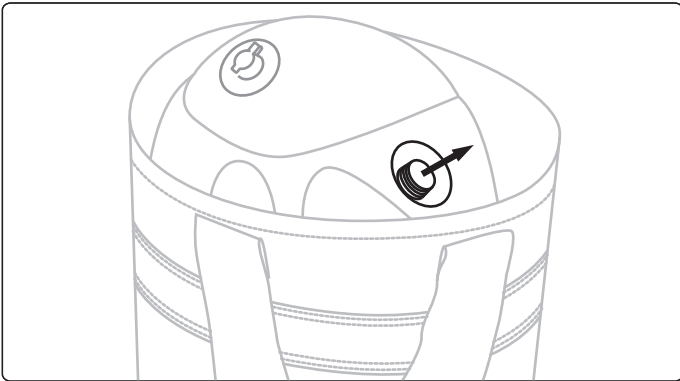
DISASSEMBLY INSTRUCTION

NO OTHER TOOLS NEEDED. YOU MAY NEED ANOTHER PERSON FOR HELP. FIND A PLACE WITH GOOD DRAINAGE, AND AWAY FROM OBJECTS SUSCEPTIBLE TO WATER DAMAGE

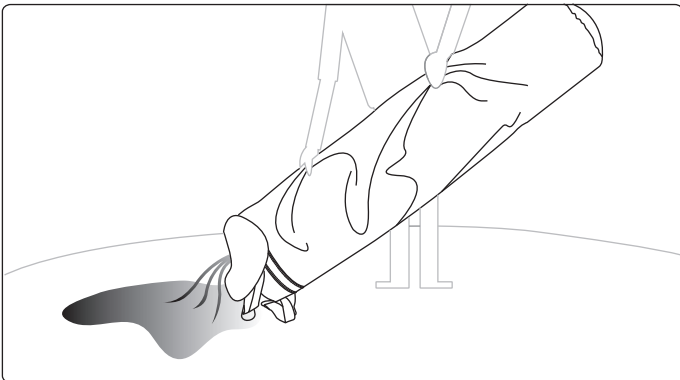
1. Unzip the bag-top-cover. Let out some air from the air section with the air needle into the air-needle-valve (X) to reduce the pressure of the bag.



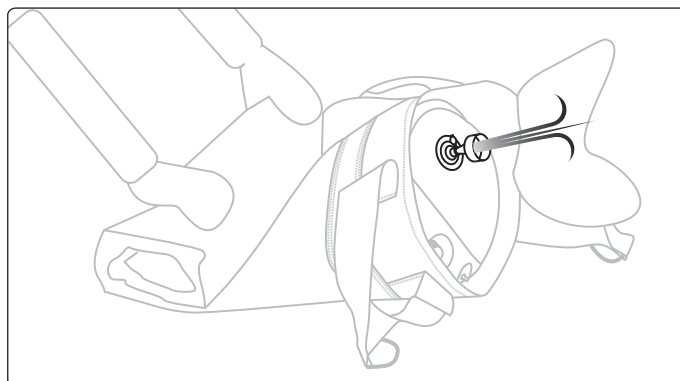
2. Take the bag off the hook and remove the water cap and rubber plug of the water-valve (Y).



3. Drain the water section.



4. Open the air valve of the air section (W). Insert the sharp-pointed nozzle into the air valve. Exhaust the air out of the bladder by rolling and squeezing the bag from the bottom.



5. Remove the sharp-pointed nozzle and insert the air-stop back to valve (W). Replace the rubber plug and the cap. Unroll and fold up the bag for next use.

THANK YOU FOR PURCHASING THE WORLD'S MOST UNIQUE HEAVY BAG OF MAXX MMA!!

Important:

Every part has been thoroughly inspected and double-checked to ensure a trouble-free assembly.

- Any contact sport can be dangerous and result in serious injuries. Always wear boxing gloves or bag gloves when using this product, and be sure you are in good physical condition with a qualified instructor. Everyone using this product must be aware of the risks of any injuries.
- This product is not a toy. Please do not allow children to use it without adult supervision. The user must accept full responsibility for the safe and proper assembly and use of all equipment.

Before Use:

- It is strongly recommended that well-padded bag gloves and hand wraps be worn when using the product.
- Always use this product in a adequate space e.g. at least 6 feet (2 meters) clearance on all sides.
- Always check the product before using it, and make sure that the product is in good working order.

Care and Maintenance:

1. Temperature changes affect the air pressure of the product. Always check and maintain proper air pressure as outlined below.
 - Cold temperatures will cause the bag to lose some air pressure, and some air will slowly escape through the walls of the bladder. In this case, add some air to the air section with the hand pump to maintain adequate air pressure.
 - Warmer temperature will cause the air to expand. When the bag feels unusually hard, let out some air from the air section with the air needle to maintain the "Give Effect" of the bag.
2. Use a damp cloth with mild detergent to keep the bag clean.
3. In case of a leak in the bladder, patch the bladder with the patch kit (patches and repair glue) attached.
 - Inflate the bladder and inspect it to locate the leak. If the leak can not be located visually, coat the surface with soapy water, press the bladder, and the leak will reveal itself with soap bubbles.
 - Circle the leak with a marker. Clean the area around the leak before drying the surface and patching.
 - Coat the patch and the hole area with a thin layer of repair glue. When finished applying the glue, let the glue dry until it is tack-free, typically 15 to 20 minutes.
 - Stick the patch glue-side down over the hole area. Gently press down and rub on the patch to adhere the patch to the bladder. Let the glue dry thoroughly before using the bag (15 to 20 minutes).

THANK YOU FOR PURCHASING THE WORLD'S MOST UNIQUE HEAVY BAG OF MAXXMMA!!

Warranty:

MaxxMMA provides a **TEN YEAR WARRANTY** on the bladder, and a one year warranty on other parts of this Water/Air Heavy Bag (“Products”) from the date of original purchase to ensure that they are free from defects in materials and workmanship under normal use (not applicable to any equipment or part NOT included in the components list, even if packaged or sold together), provided that the product is used for its intended purpose, and provided that the product has not been subjected to obvious abuse, misuse or neglect. The extent of MaxxMMA’s liability under this warranty is to defects in materials and workmanship only, and is limited to the repair of such defects or replacement of any equipment or part defective at the time of purchase. MaxxMMA shall not have any liability to repair and/or replace the said equipment or part if the purchaser uses the equipment or part in contravention of the instructions provided by MaxxMMA, or if the damage is caused by the purchaser in any way.

In no event shall MaxxMMA’s liability for any reason and upon any cause of action whatsoever exceed the value of the product purchased. Misuse, abuse, improper use or failure to follow instructions including any disclaimer shall void any liability, responsibility or warranty by MaxxMMA.

Caution:

1. This bag works best if hung indoor at a constant normal room temperature. We do not recommend that you hang this bag outside and shall NEVER expose it in temperatures above 50 °C (122 °F) or below 0 °C (32 °F). Freezing will invalidate any warranty on this bag.
2. Do NOT remove the cap and the rubber plug from the water section while the bag is fully inflated, as it will cause the water to spray out. Let out the air from the water section with the air needle into air-needle-valve (Z) to reduce the pressure of the bag first.
3. This bag is not designed for weapon training. Using weapons on the bag will void the warranty.
4. To disassembly the bag, let out some air from the air section first to reduce the pressure of the bag.

Warning:

- Do not use this product as a flotation device.
- Do not use this product in water, or directly expose it to rain, snow or sunshine for a long time.
- Always keep this product away from sharp objects and hot surfaces. Failure to do so will cause the bladder to puncture and leak.
- Do not use hot air or inflammable gas, as this could be dangerous.
- Do not use liquids other than water to fill the bag.
- Keep all accessories out of the reach of children.



Go to eeMore.com for more information.

If you have any questions or need assistance please contact us at:

contact@eemore.com

